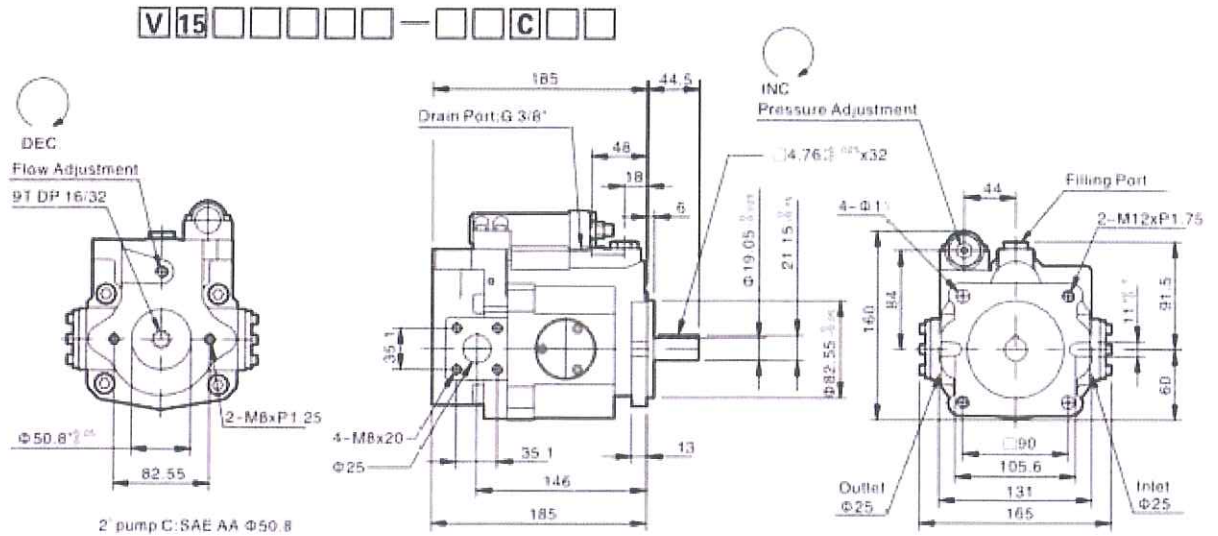


V 15 - V 18 Series Axial Piston Pump - Installation Drawing

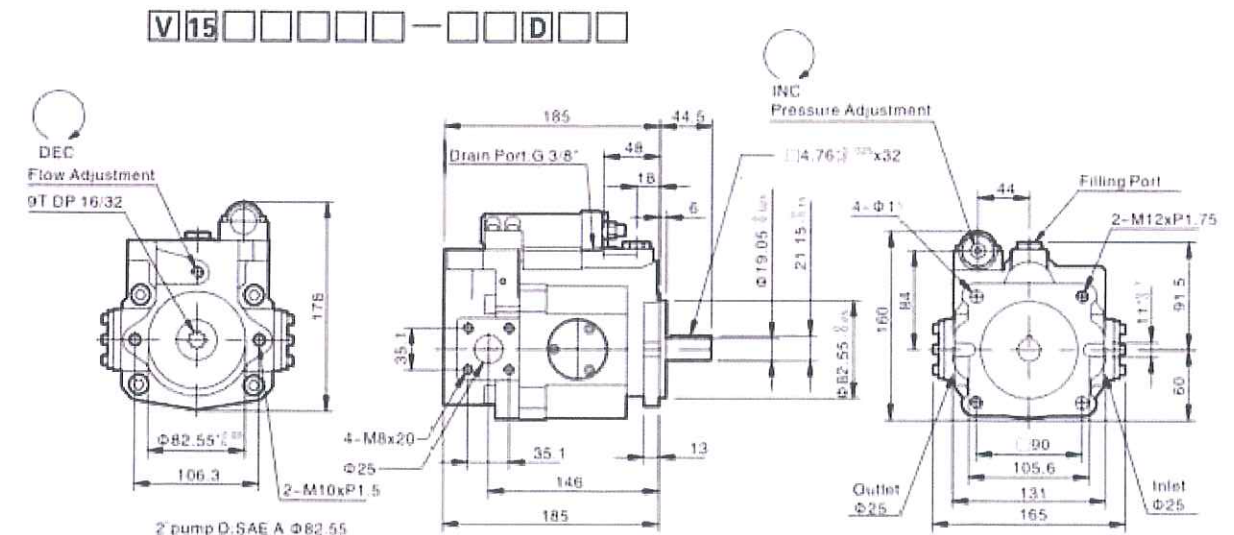
V 15 - V 18 Thru Drive Option SAE AA (spigot diam. 50,8)



Type	A	B	C	CG	D	DG	E	EG	F	FG	G	GJ	GM	HL	HK	HQ
	○				○	○	○	○			○	○	○	○	○	○

Thru Drive Option

V 15 - V 18 Thru Drive Option SAE A (spigot diam. 82,55)



Type	A	B	C	CG	D	DG	E	EG	F	FG	G	GJ	GM	HL	HK	HQ
	○				○	○	○	○			○	○	○	○	○	○

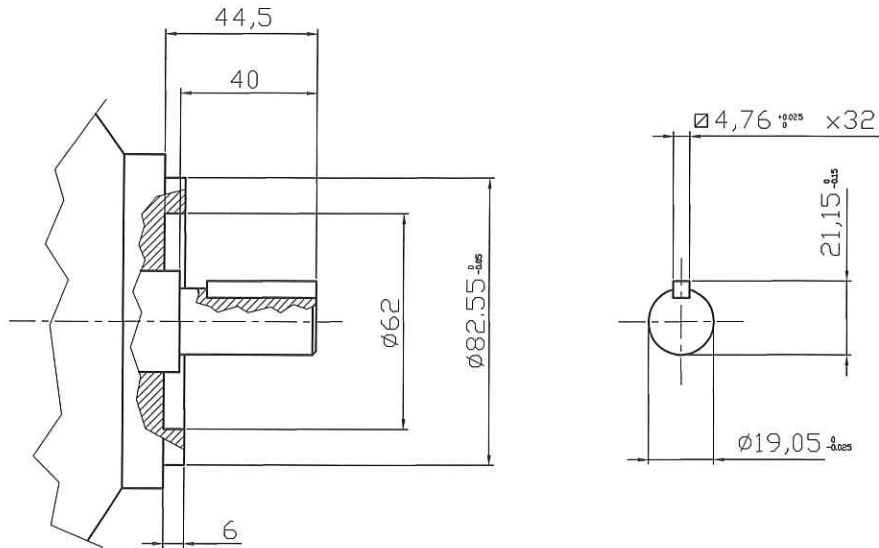
Thru Drive Option

Notes: - Inlet - Outlet port are for standard rotation (clockwise).
 - For shaft detail see page 20.

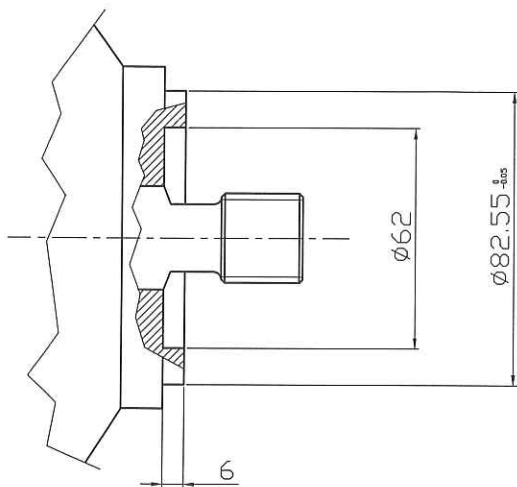


Installation Drawing - Shaft Option

Parallel Shaft



Splined Shaft



Spline Characteristics

Splined shaft type S	SAE J 498 B 13 theet 16/32 DP Involute spline 30°
Splined shaft type S 1	SAE J 498 B 9 theet 16/32 DP Involute spline 30°
Splined shaft type S 2	SAE J 498 B 11 theet 16/32 DP Involute spline 30°